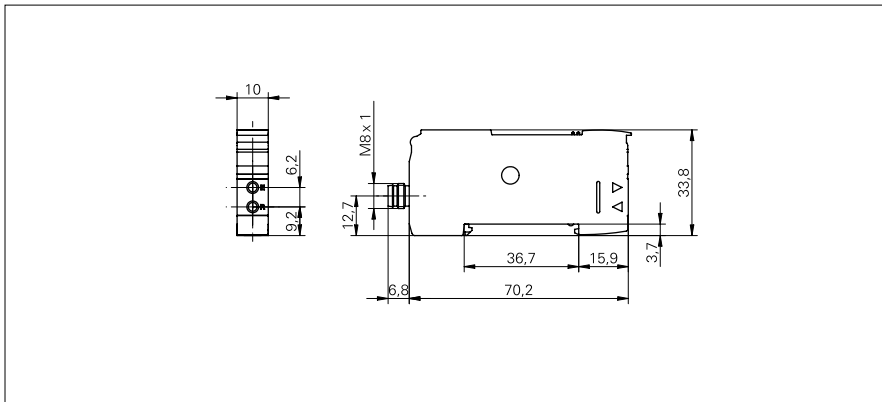


**Fiber optic sensors & cables**

**FVDK 10N67Y0/S35A**

**dimension drawing**



**general data**

actual range $S_b$ (FSE 200C1002)	1200 mm
sensing distance $T_w$ (FUE 200C1003)	300 mm
light source	pulsed red LED
light indicator	2 x 4-digit display
output indicator	LED orange
adjustment	Teach-in
wave length	660 nm
suppression of reciprocal influence	yes

**electrical data**

response time / release time	0,05 ... 5 ms (adjustable)
voltage supply range +Vs	10,8 ... 26,4 VDC
current consumption max. (no load)	30 mA
voltage drop Vd	< 2,1 VDC
output function	light / dark operate switchable
on / off delay	0,25 ... 20000 ms
min. output pulse length	0,25 ... 20000 ms
output circuit	NPN
output current	< 100 mA
short circuit protection	yes
reverse polarity protection	yes

**mechanical data**

width / diameter	10 mm
height / length	33,8 mm
depth	70,2 mm
type	rectangular
housing material	polycarbonate/ABS
connection types	connector M8 4 pin

**ambient conditions**

operating temperature	-20 ... +55 °C
protection class	IP 40

**photo**



**connection diagram**

